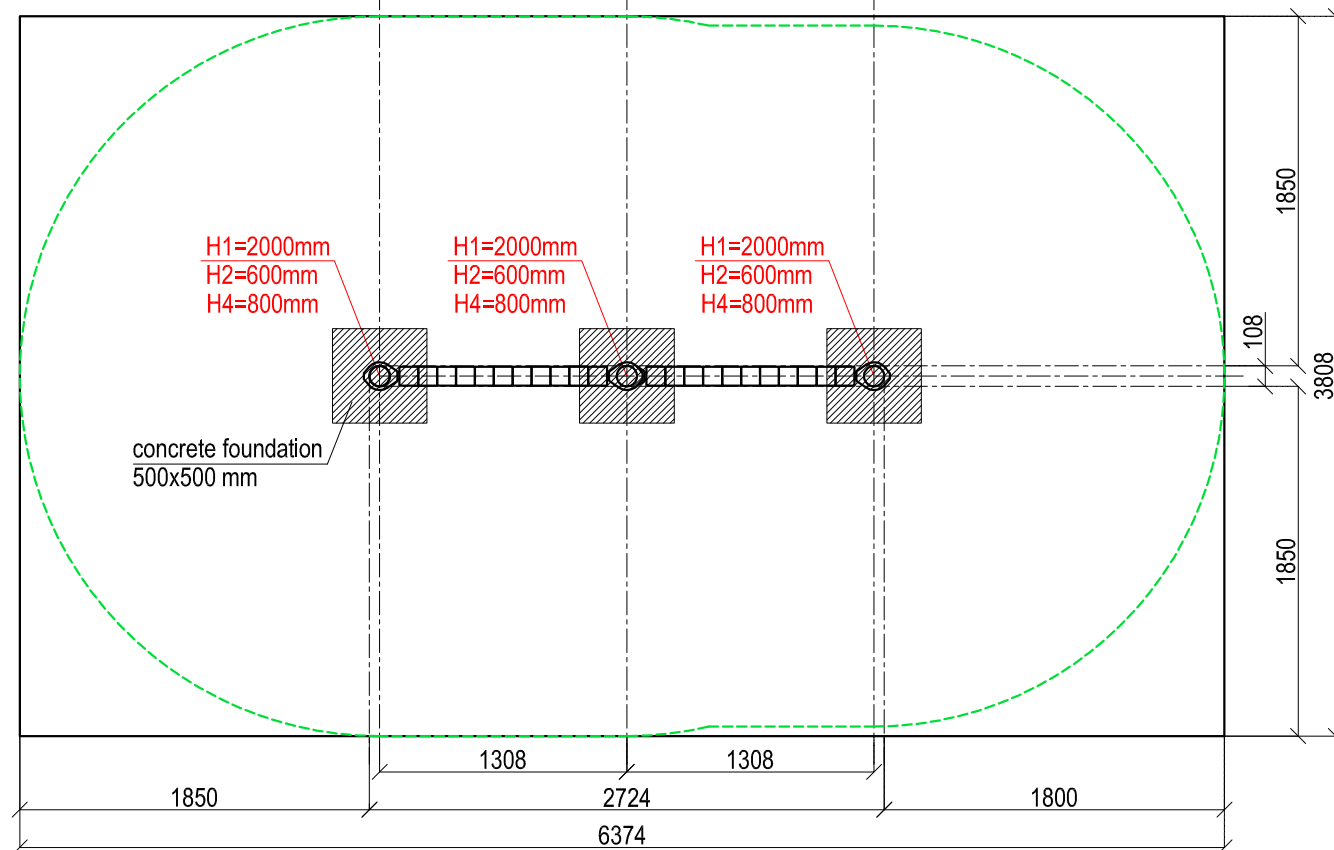
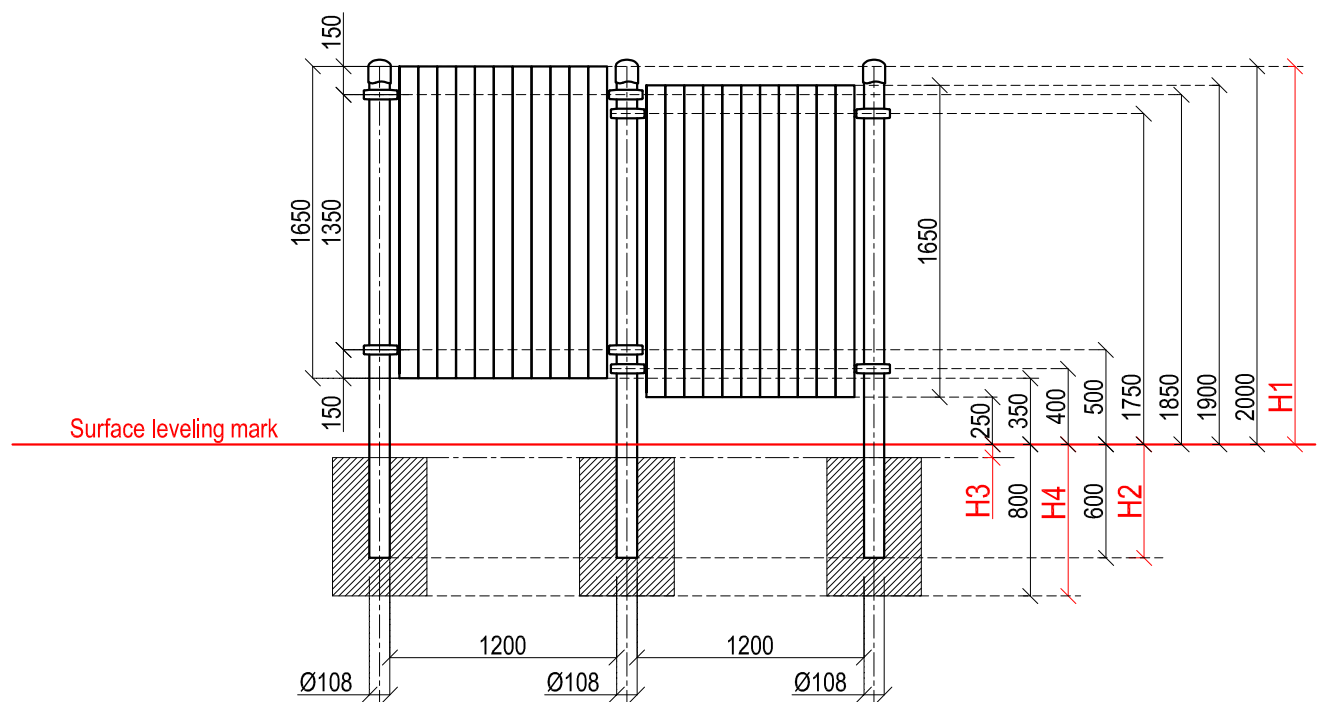
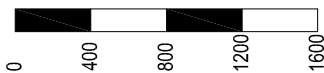


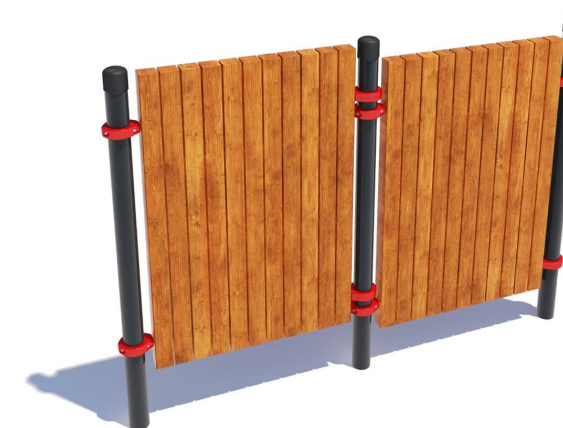
SCALE 1:40



LTD "KENGURU PRO"
 Address: Lauteres street 4, Riga, Latvia, LV-1002
 VAT Reg. No. 40103750152
 Bank: A/S DNB bank, SWIFT: RIKOLV2X,
 Bank Account: LV65RIKO0002930161161
 e-mail: info@kengurupro.eu
 www.kengurupro.eu

PK-005

Kenguru PARKOUR



The construction consists of three vertical columns and two wooden wall sections. Each of the walls is mounted on two crossbars 1200mm in length. Height of the walls 1650mm. Construction is secured together with aluminium clamps. Weight - 329.30 kg

Installation instructions:

- Choose a suitable underground for the unit (see page 2, table 2)!
- Prepare the construction pit with a drilling machine or other devices.
- Before pouring the concrete all structures elements must be leveled and fixed.
- Complex elements must be fixed and bolted together with metal clamps.
- Ready-made C25 concrete should be used.
- Crossbars installation height can be changed according to customer's wishes.
- Approximately 0,15m³ concrete is needed for each spot foundation.
- Under the structures we recommend to install absorbing rubber cover.

The size of the hole for the foundation is depending on the consistency of the ground. The dimensions mentioned above are applicable for normal conditions with firm ground. If the ground is extremely soft, a much bigger foundation is needed. Use only appropriate material and follow the installation instructions closely!!!

Foundation plan and area of movement of the Kenguru PARKOUR complex PK-005				Technical information		
Foundation when using Shock absorbing underground (synthetic – rubber granulates)		Beveling of foundation when using loose filling material		width:	108 mm	
				height:	2050 mm	
H3	Drop height	H3	Drop height	length:	2724 mm	
40 mm	> 1.2.....1.4 m	20 cm	< 1.0 m	largest part:	2650 mm	
50 mm	> 1.5.....1.7 m	30 cm	< 2.0 m	weight:	329.30 kg	
60 mm	> 1.8.....2.0 m	40 cm	< 3.0 m	floor space required	4108 x 6724 mm	
70 mm	> 2.1.....2.5 m			pipe measurements:	diameter:	wall thickness:
					108 mm	3.2 mm
					33.7 mm	3.2 mm
				metal parts:	steel, galvanized, powder coated RAL 7016 (anthracite grey)	
				metal clamps:	aluminium, powder coated, RAL 2004 (pure orange)	
				bolts for metal clamps	stainless steel, Pin Hex Button Head Security Screws M10	
				wooden beam measurements:	Height, width	Lenght
					92 x 100	1650
				wooden parts:	SAYERLACK painted, NCS S3030-Y30R	
				max. free fall height:	< 2000 mm	possible underground see DIN 79000:2012-05 Tab.2 or installation instructions
				user height:	> 140 cm	
				maximum user weight:	130 kg	
				certificates:	TÜV Rheinland InterCert Kft.	

